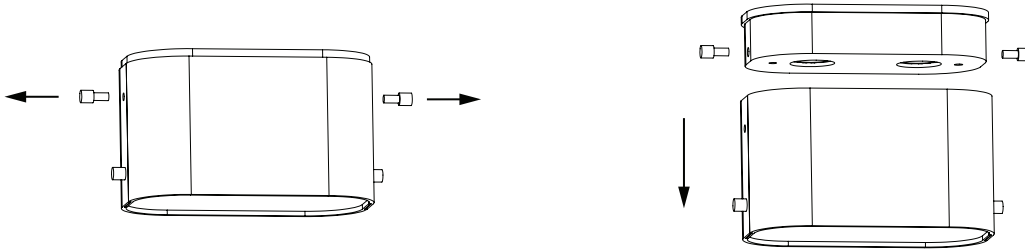
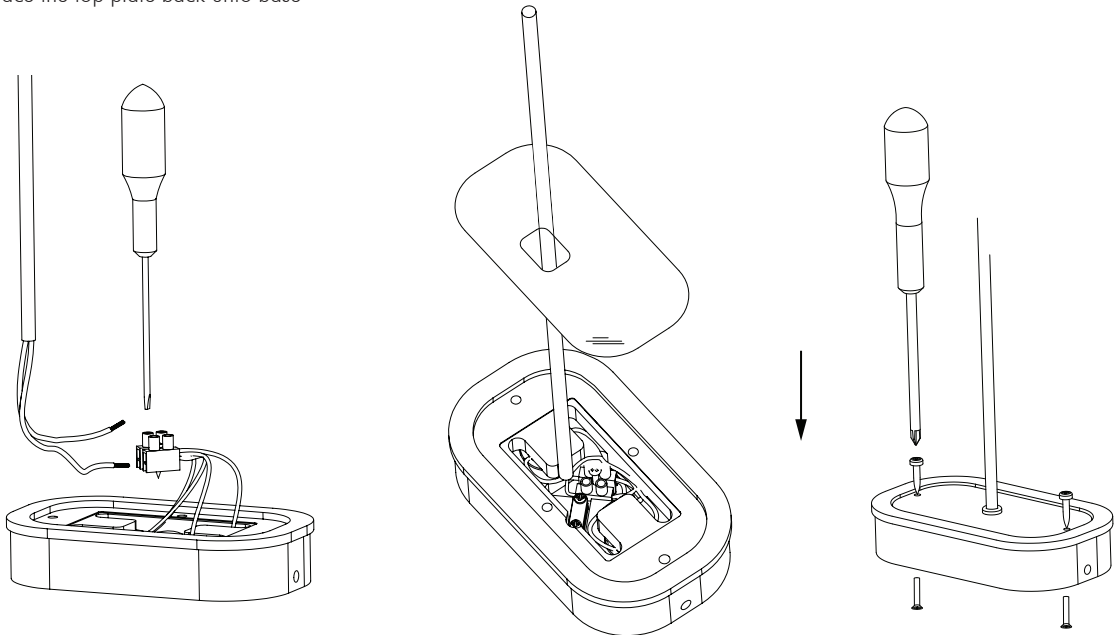


- 1 Loosen the screws and separate the two parts from each other



- 2 Attach the cord to the connector underneath the top plate.
Place the top plate back onto base



- 3 Screw the wall attachment into desired wall space and install the lightbulbs into the base.
Connect the bottom and top part again and rescrew the pieces together. Your Spot Wall is now ready.

