



KBH SOFA

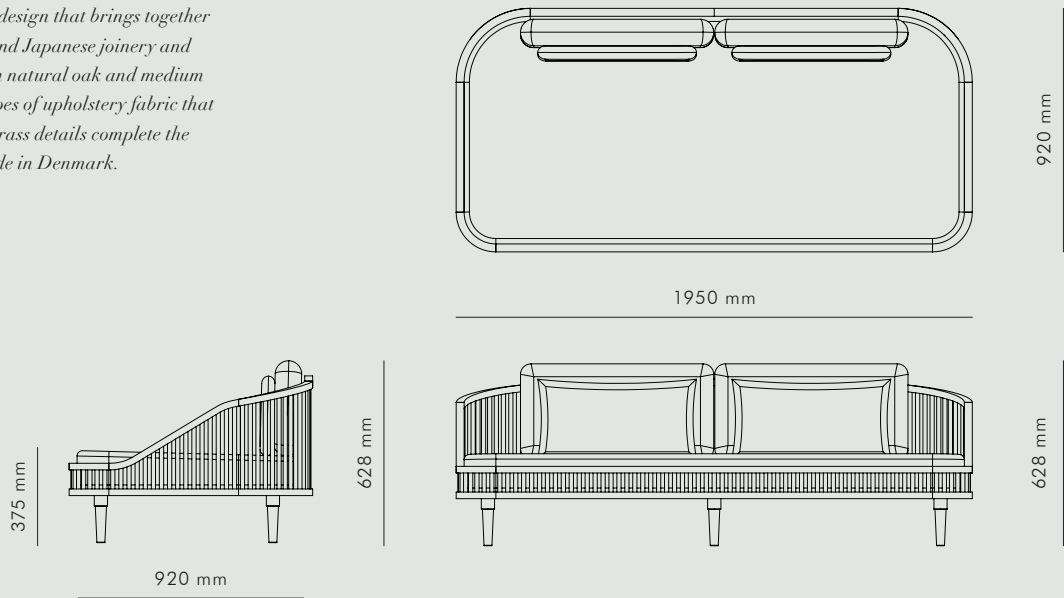
KØBENHAVNS-MØBELSNEDKERI

KBH SOFA FABRIC

SEATING

NATURAL OAK / MEDIUM FUMED OAK + FABRIC + BRASS

KBH Sofa is a modern sofa design that brings together a blend of Danish, Italian and Japanese joinery and aesthetics. The sofa comes in natural oak and medium fumed oak with different types of upholstery fabric that ensures a soft, tactile feel. Brass details complete the design. The sofa is handmade in Denmark.



AVAILABLE MATERIALS	OAK	FABRIC	ITEM NO.
OAK + MARK ALEXANDER FABRIC	Natural	Borough Vellum M413/02	3701-101
	Natural	Mezzo Moss M477/19	3701-107
	Natural	Mezzo Mole M477/24	3701-108
	Natural	Empire Truffle M542/03	3701-109
	Natural	Empire Spruce M542/19	3701-110
	Natural	Empire Sage M542/21	3701-111
	Medium Fumed	Borough Vellum M413/02	3702-101
	Medium Fumed	Mezzo Moss M477/19	3702-107
	Medium Fumed	Mezzo Mole M477/24	3702-108
	Medium Fumed	Empire Truffle M542/03	3702-109
	Medium Fumed	Empire Spruce M542/19	3702-110
	Medium Fumed	Empire Sage M542/21	3702-111

DATA

Dimension (mm)

LENGTH	WIDTH	HEIGHT	DEPTH	DIAMETER	SEAT HEIGHT
-	1950	628	920	-	375

SHIPPING SPECIFICATIONS

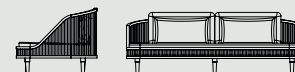
Dimension (mm) / Volume (m³) / Weight (kg)

BOX LENGTH	BOX WIDTH	BOX HEIGHT	BOX VOLUME	BOX WEIGHT
2000	970	910	1,77	90

KBH FABRIC BOROUGH

MATERIALS

MARK ALEXANDER



FABRIC COLOURS

NO.

BOROUGH	VELLUM	M413/02
BOROUGH	TARNISH	M413/05
BOROUGH	GUNMETAL	M413/06
BOROUGH	HERITAGE	M413/08



Borough Vellum



Borough Tarnish



Borough Gunmetal



Borough Heritage

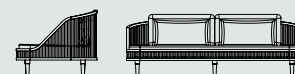
RELATED PRODUCTS

KBH SOFA
KBH LOUNGE CHAIR

COMPOSITION

BOROUGH 55 % VISCOSE / 30% LINEN / 15% COTTON

MARK ALEXANDER



FABRIC COLOURS

NO.

MEZZO	DESERT PALM	M477/15
MEZZO	MOSS	M477/19
MEZZO	MOLE	M477/24
EMPIRE II	DESERT PALM	M542/28
EMPIRE II	TRUFFLE	M542/03
EMPIRE II	SAGE	M542/21
EMPIRE II	SPRUCE	M542/19

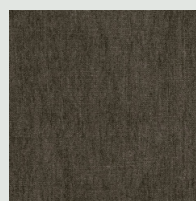
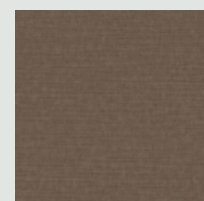
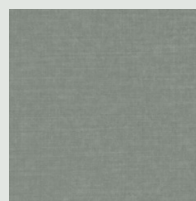
*Messo Desert Palm**Mezzo Moss**Mezzo Mole*

RELATED PRODUCTS

KBH SOFA
KBH LOUNGE CHAIR

COMPOSITION

MEZOO	70% LINEN / 30% COTTON
EMPIRE II	55% VICOSE / 26% COTTON / 19% POLYESTER

*Empire II Desert palm**Empire II Truffle**Empire II Sage**Empire II Spruce*