



## BAR HANDLE

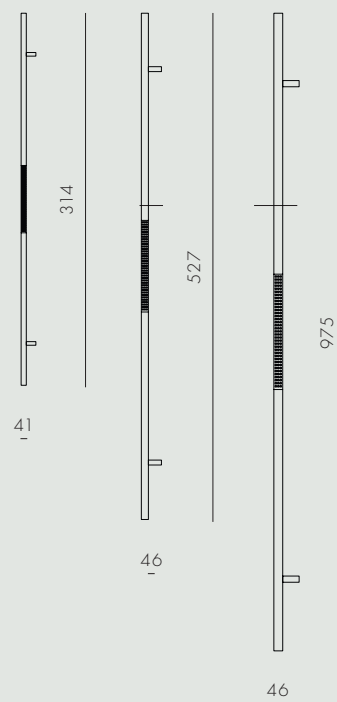
KØBENHAVNS-MØBELSNEDKERI

BAR HANDLE

ACCESSORIES

BRASS / DARK BRASS / STAINLESS STEEL

Bar Handle is made of brass, dark brass or stainless steel, and adds an elegant look to closets, cabinets and drawers. The handle is handmade in Denmark.



AVAILABLE MATERIALS		SIZE		ITEM NO.
METAL	Brass	Small	314mm	3440-000
	Dark Brass	Small	314mm	3443-000
	Stainless Steel	Small	314mm	3446-000
	Brass	Medium	527mm	3441-000
	Dark Brass	Medium	527mm	3444-000
	Stainless Steel	Medium	527mm	3447-000
	Brass	Large	975mm	3442-000
	Dark Brass	Large	975mm	3445-000
	Stainless Steel	Large	975mm	3448-000

DATA

Dimension (mm)

SIZE	HEIGHT	DIAMETER	INCLUDED
Small	314	16	4 x 37 mm Brass Screw
Medium	527	16	4 x 37 mm Brass Screw
Large	975	16	4 x 37 mm Brass Screw

SHIPPING SPECIFICATIONS

Dimension (mm) / Volume (m<sup>3</sup>) / Weight (kg)

SIZE	BOX LENGTH	BOX WIDTH	BOX HEIGHT	BOX VOLUME	BOX WEIGHT
Small	400	120	80	0,004	1
Medium	620	120	80	0,006	1,5
Large	1010	120	80	0,010	2,5