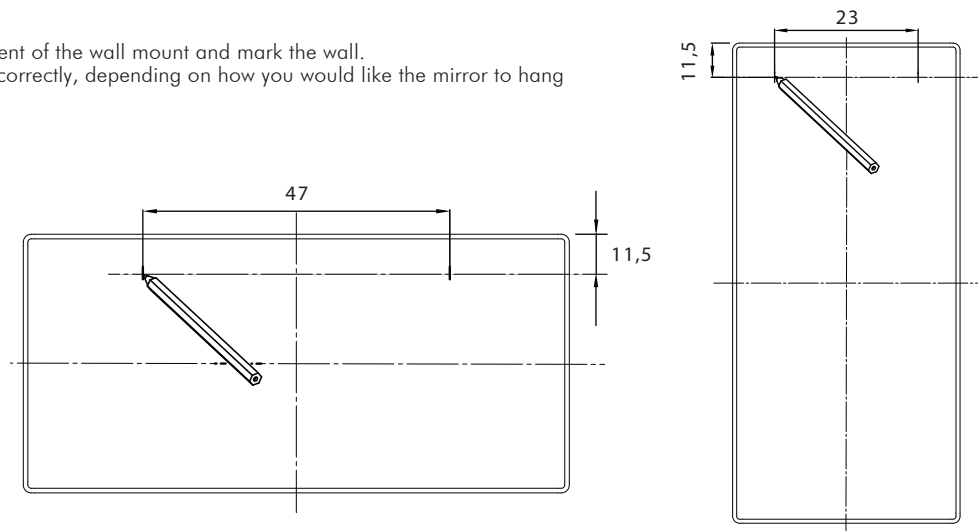
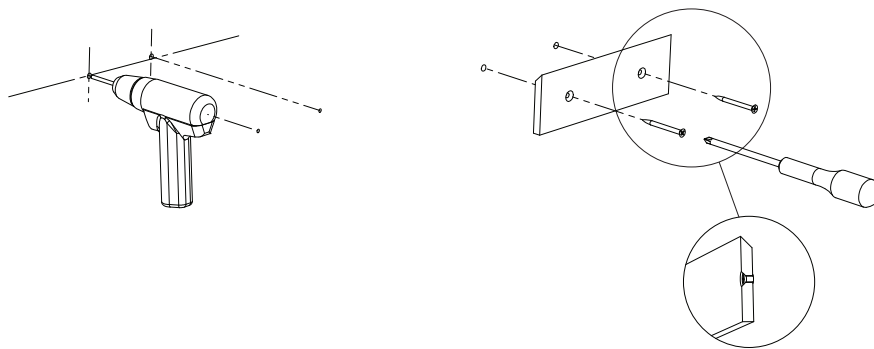


- 1 Measure out the placement of the wall mount and mark the wall.
Make sure the measure correctly, depending on how you would like the mirror to hang



- 2 Drill holes on the marks and insert wall plugs.
Screw the wall mount onto the wall. Plugs and screws not included.



- 3 Slide the mirror onto the wall mount.
Your mirror is now ready.

