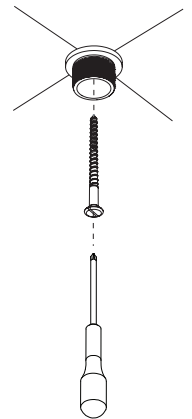
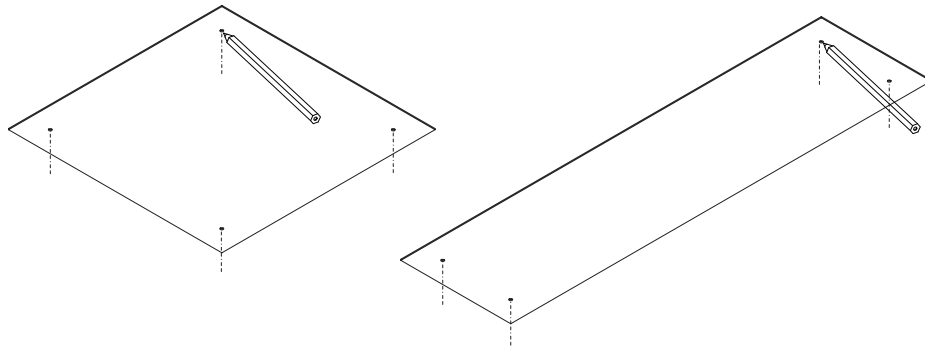
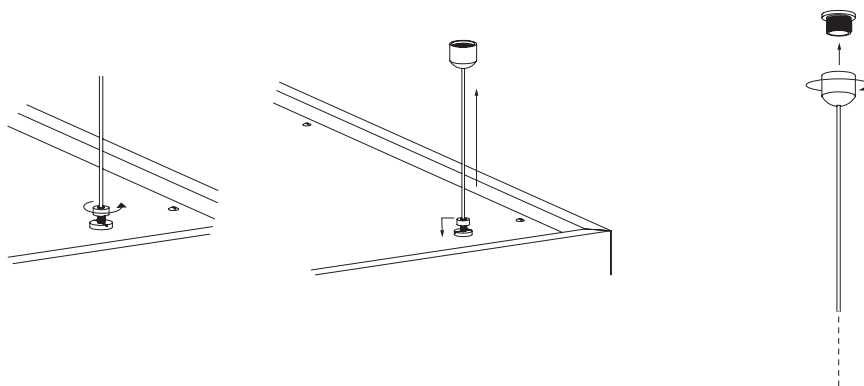


- 1 Place your template on the desired area and mark the four holes on the ceiling  
Screw the fittings into the ceiling on the marks



- 2 Loosen the wirelock and press it down while pulling the wire up. This will loosen the wire and make it longer.  
Tighten the top cap around the ceiling fittings.



- 3 Once all four top caps have been screwed onto the ceiling, press down the wirelock once more to adjust the length of the wire.  
The wire can be pushed up and down.  
Make sure your lamp is level. Once you have reached the desired height, re-tighten the wirelock.

